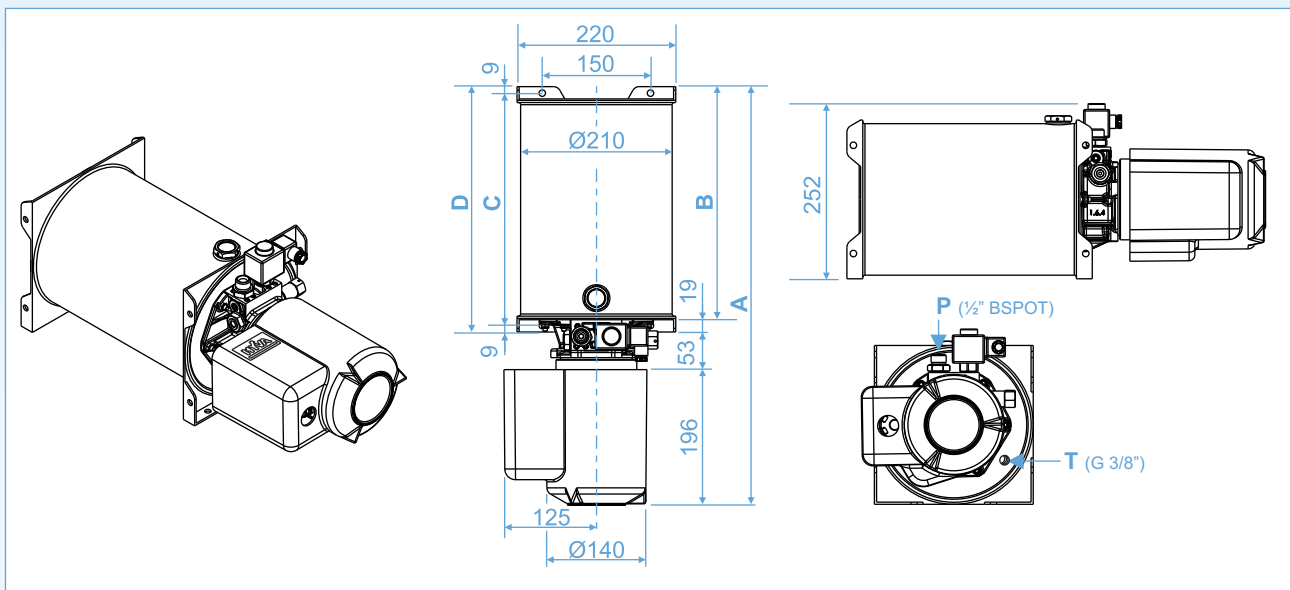


Hyva Power Packs

Truck Mounted

Power Packs 12V & 24V

Part no.	Description	Voltage (V)	Nominal power (Watt)	Pump size (cc/rev.)	Tank steel volume (L)	Max pressure (Bar)	Current at max press. (Amps)	Flow at 100 bar (L/min.)
145 53 000	Power pack 2000W - 12V - 10L	12	2000	3.1	10	140	290	6,5
145 53 001	Power pack 2000W - 12V - 15L	12	2000	3.1	15	140	290	6,5
145 53 500	Power pack 3000W - 24V - 10L	24	3000	3.1	10	170	165	7,2
145 53 501	Power pack 3000W - 24V - 15L	24	3000	3.1	15	170	165	7,2



Part no.	Measurements			
	A (mm)	B (mm)	C (mm)	D (mm)
145 53 000	570	302	322	340
145 53 001	720	452	472	490
145 53 500	570	302	322	340
145 53 501	720	452	472	490

Special versions available on request.

- Different oil tank size;
- Double acting version;
- Multiple valves.

Hyva Power Packs

Accessoires

Knock off electrical

Part no.	Description
148 86 501	Knock off electrical re-enforced
020 70 111	Knock off electrical



Switch panel electric TIP/LOWER

Part no.	Description
020 70 121	Electric switch panel tip/lower



Remote control

Part no.	Description
145 52 657	Remote control 2m. cable - 2 buttons

