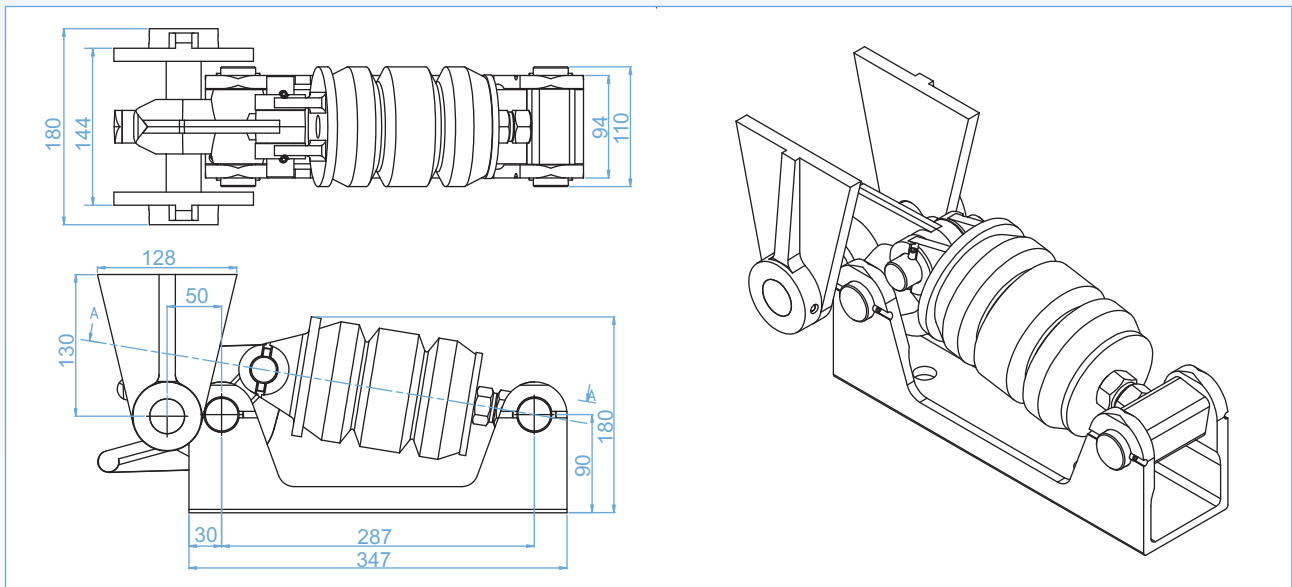


Hyva Body Components

Hyfix and Polyp

Hyfix body clamp and bracket

Part no.	Description
081 02 855	Hyfix-set steel incl. bracket
081 02 867	Hyfix-set aluminium incl. bracket
081 02 864T	Hyfix steel excl. bracket
081 02 890T	Hyfix aluminium excl. bracket
148 97 167T	Hyfix bracket steel
148 97 168	Hyfix bracket aluminium



Polyp Gripping Device

Part no.	Description
081 01 000	Polyp rubber set complete
081 01 012	Polyp rubber - rubber with base nut
081 01 024	Polyp rubber - cup steel
081 01 036	Polyp rubber - pin steel
081 01 037	Polyp rubber - pin aluminium

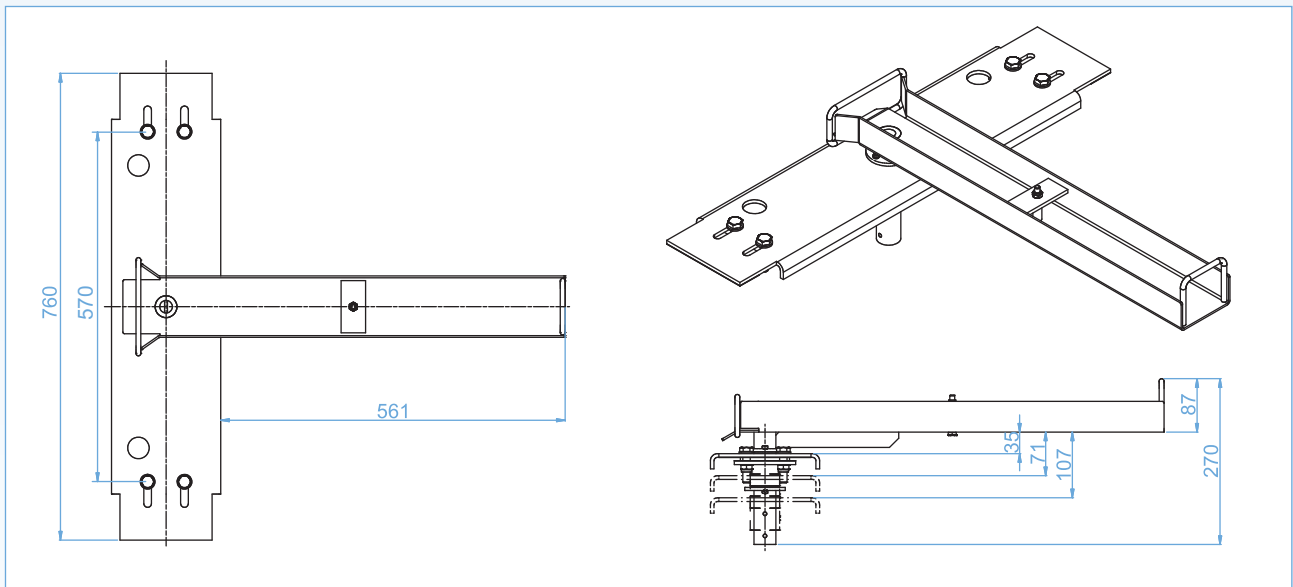


Hyva Body Components

Hose Guide and Swivel arm

Hose Guide

Part no.	Description	Chassis widths (mm)	Weight (kg)
148 01 100	Hose guide	590 to 710	13



Hydraulic swivel arm

Part no.	Description	Connection (")	Weight (Kg.)	Length (mm)
148 01 135	Swivel arm	1	3,6	350



Hyva Body Components

Mudguard parts

Mudflap "HYVA" C/W mounting strip

Part no.	Description	Size LxWxH (mm)
081 05 490	Mudflap "Hyva" c/w mounting strip	600 x 350 x 5



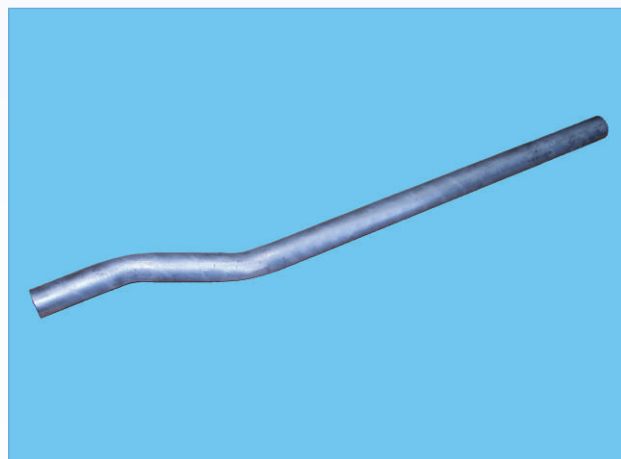
Clamp for in mudguard pipe

Part no.	Description
092 04 098	Clamp for in mudguard pipe Ø34mm



Galvanised mudguard support

Part no.	Description	Ø (mm)	Length (mm)
268 70 030	Mudguard support (galvanised)	42/35	990



Hyva Body Components

Mudguard and Tail light parts

Mudguard pipe support weldable

Part no.	Description
092 14 030L	Mudguard pipe support weldable M12-L
092 14 030R	Mudguard pipe support weldable M12-R



Light protector

Part no.	Description	Size LxWxH (mm)
092 16 120	Rear light protector	600x190x8

